

67" ASIA DOUBLE ACRYLIC ROLL TOP TUB

Cat. No.
ADTR67



L: 67"
W: 29"
H: 25" (from floor to top of tub)
18" (from bottom to tub)

Water depth: 11-1/2" to overflow

The following is recommended for ADTR67 tubs

- Tub wall-mounted faucets: **4022, 4025, or 4035**
- Double offset bath supplies: **Part# 5576**
- Leg tub drain: **Part# 5599**

Do not use with rigid, freestanding supplies

Gallon Capacity: 50
Shipping Weight: 150 lbs.
Empty Weight: 100 lbs.
Filled Weight: 518 lbs.

Features:

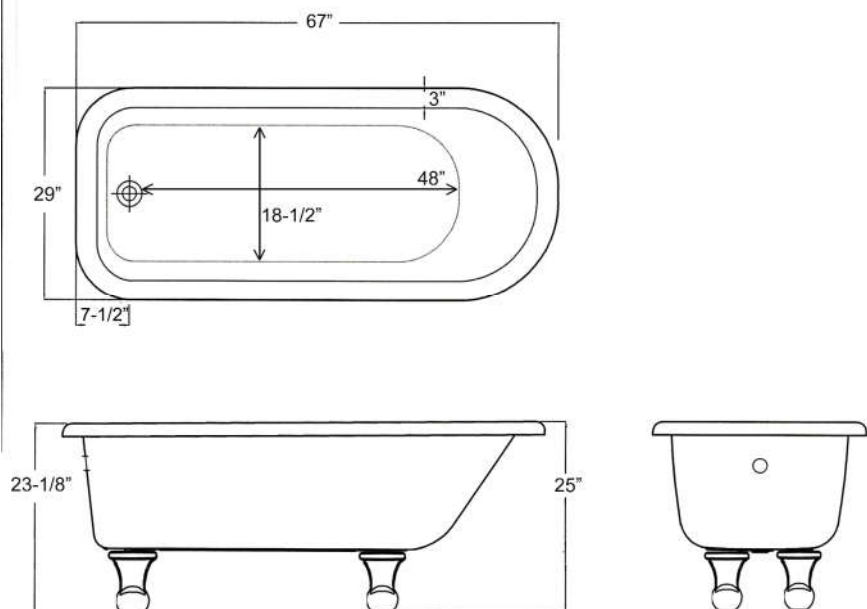
- ▶ Smooth white acrylic surface inside and out
- ▶ 3" centers in tub wall
- ▶ Pre-drilled overflow hole
- ▶ Continuous rolled rim
- ▶ Cast aluminum ball and claw feet
- ▶ Tubs ship with feet attached and leveled
- ▶ Tubs thoroughly inspected before shipment



Foot Finishes

| | |
|---------------------------|------------------------------|
| BQ Bisque | BL Black |
| BP Polished Brass | CP Polished Chrome |
| BN Brushed Nickel | ORB Oil Rubbed Bronze |
| PN Polished Nickel | WH White |

Custom Colors Available (inside of tub is always white enamel):
Painted bathtubs are considered "special order" and are not returnable
\$160 Bisque or Black \$250 Designer Color



Dimensions are nominal and specifications subject to change without notice.

RECTANGULAR SHOWER UNIT

Cat. No.
4190



L: 48" D: 24"
L: 54" D: 24"

Features:

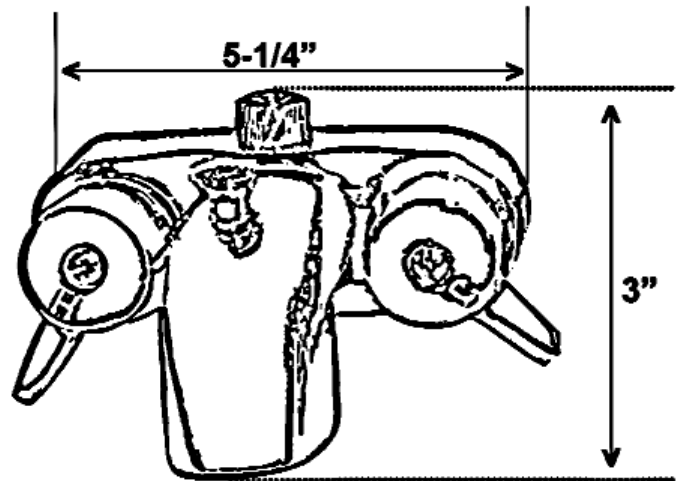
- ▶ Rectangular shower rod is 3/4" solid brass tubing
- ▶ Washerless diverter bathcock
- ▶ 3-3/8" Centers for tub wall mount installation
- ▶ 1/4 Turn compression stems
- ▶ Includes ceiling and wall support assemblies
- ▶ Supports are adjustable by cutting
- ▶ Flow rate is 4 GPM
- ▶ Metal lever handles
- ▶ Polished chrome and brass have plastic showerhead
- ▶ Brushed Nickel, Polished Nickel and Oil Rubbed Bronze have a metal showerhead
- ▶ For use with #5576 double offset supplies (Not Included)
- ▶ Available with 48" or 54" shower rod (#4190-48, #4190-54)
- ▶ Finish varies by size

Finishes:

CP Polished Chrome PB Polished Brass
BN Brushed Nickel PN Polished Nickel
ORB Oil Rubbed Bronze

| SIZE | FINISH |
|-----------|---------------------|
| 48" x 24" | CP, BN, ORB, PB, PN |
| 54" x 24" | PB, CP |

Riser Height: 62"
Faucet Width: 5-1/4"
Wall Support: 10"
Ceiling Support: 30"



Dimensions are nominal and may vary. Dimensions and specifications subject to change without notice.

DOUBLE OFFSET BATH SUPPLIES

Cat.No.
5576



H: 24"

OD: 1/2"

Features:

- ▶ For use with faucets mounted to the tub wall
- ▶ No Stops
- ▶ 1/2" Compression inlet
- ▶ 3/4" Compression outlet
- ▶ 0.500" Outer diameter
- ▶ 0.440" Inner diameter
- ▶ 0.030" Thickness of the wall
- ▶ IAPMO approved
- ▶ Available in 5 finishes

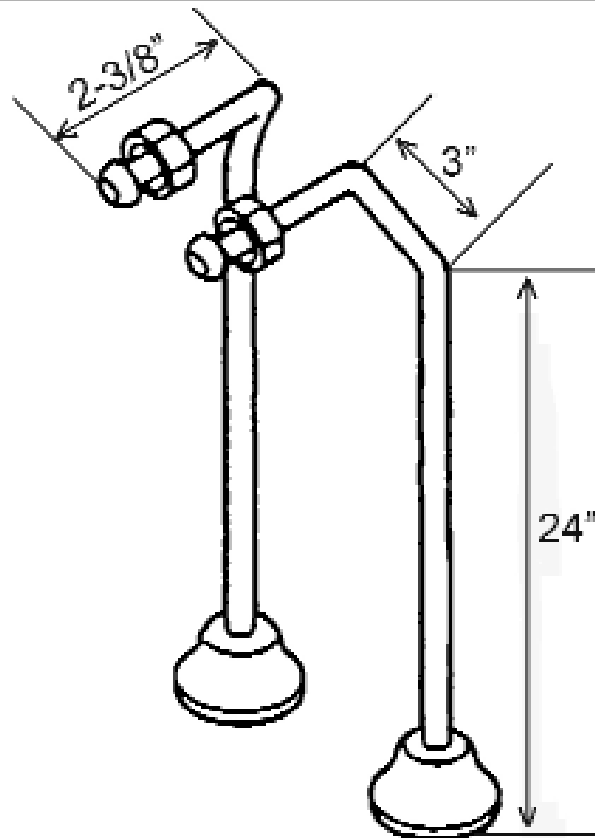
Compliance Certification

Meets or exceeds the following specifications: ASME-A112 (and 19.6M) for Vitreous china fixtures. ASME 112.19.9M for fire clay fixtures.

Finishes:

CP Polished Chrome
PB Polished Brass
ORB Oil Rubbed Bronze

PN Polished Nickel
BN Brushed Nickel



Use on concrete floors requires special installation. We recommend using a plumbing professional.

Dimensions and specifications subject to change without notice.

LEG TUB DRAIN

Cat. No.
5599



Escutcheon Height: 1-1/4"

Features:

- ▶ Twist-and-lift stopper
- ▶ Includes deep escutcheon
- ▶ Height adjustable 15"-18"
- ▶ Depth adjustable 12"-14"
- ▶ Includes deep escutcheon
- ▶ IAPMO approved
- ▶ Available in 5 Finishes

Finishes:

- CP** Polished Chrome
- BP** Polished Brass
- SN** Brushed Nickel
- PN** Polished Nickel
- ORB** Oil Rubbed Bronze

#5599 Leg Tub Drain



Dimensions and specifications subject to change without notice.